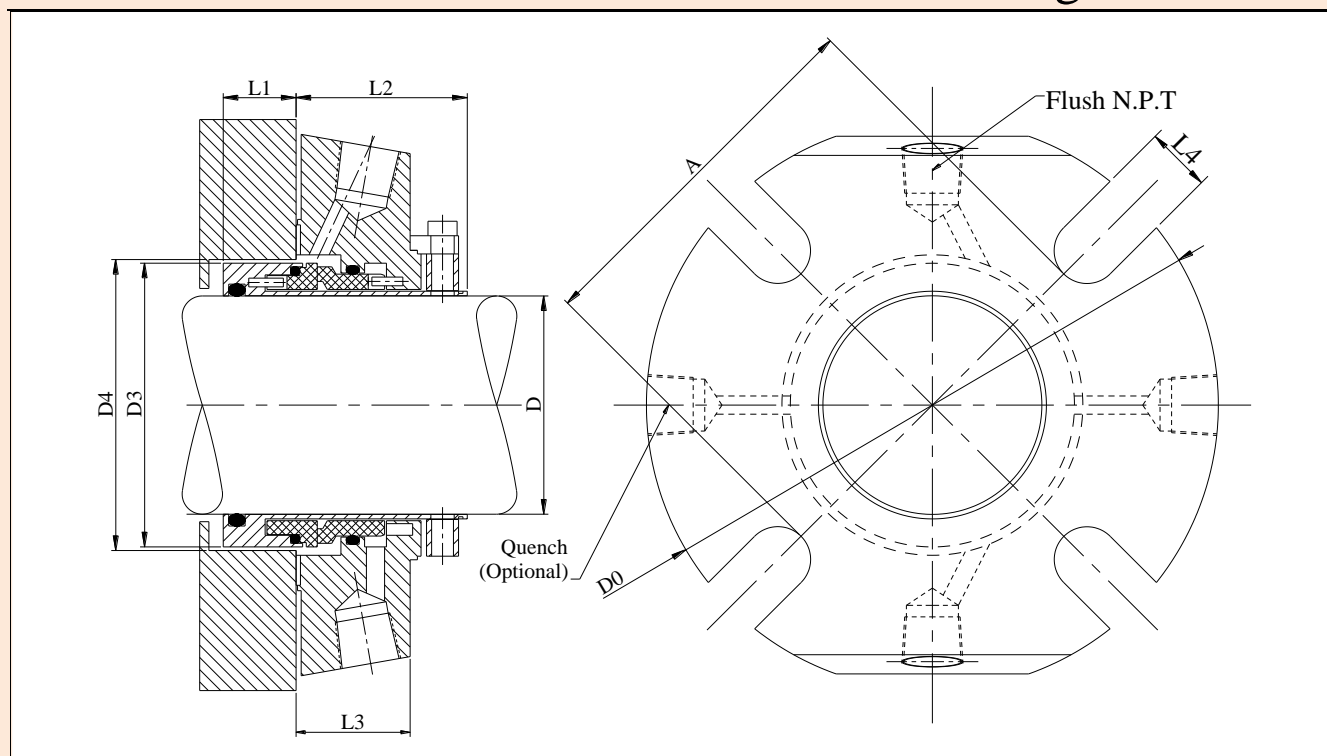


8140 Series single cartridge seal is a fully pre-assembled seal with balanced seal face. It can be used in either direction rotation and come with all the connections you need for the most common modes of operation.

#### Features/Benefits:

- ❖ **Balanced design:** Makes the seal withstanding higher operating pressure.
- ❖ **Quench optional:** reduce the risk of clogging.
- ❖ **Sufficient Cavity of Flush:** Significantly increased seal service life.
- ❖ **Springs Mounted on stationary Seat:** Presents particularly advantage to handle higher speed and the ability to deal with slight angular alignment of the shaft.

# 8140 Series Universal Cartridge Seal

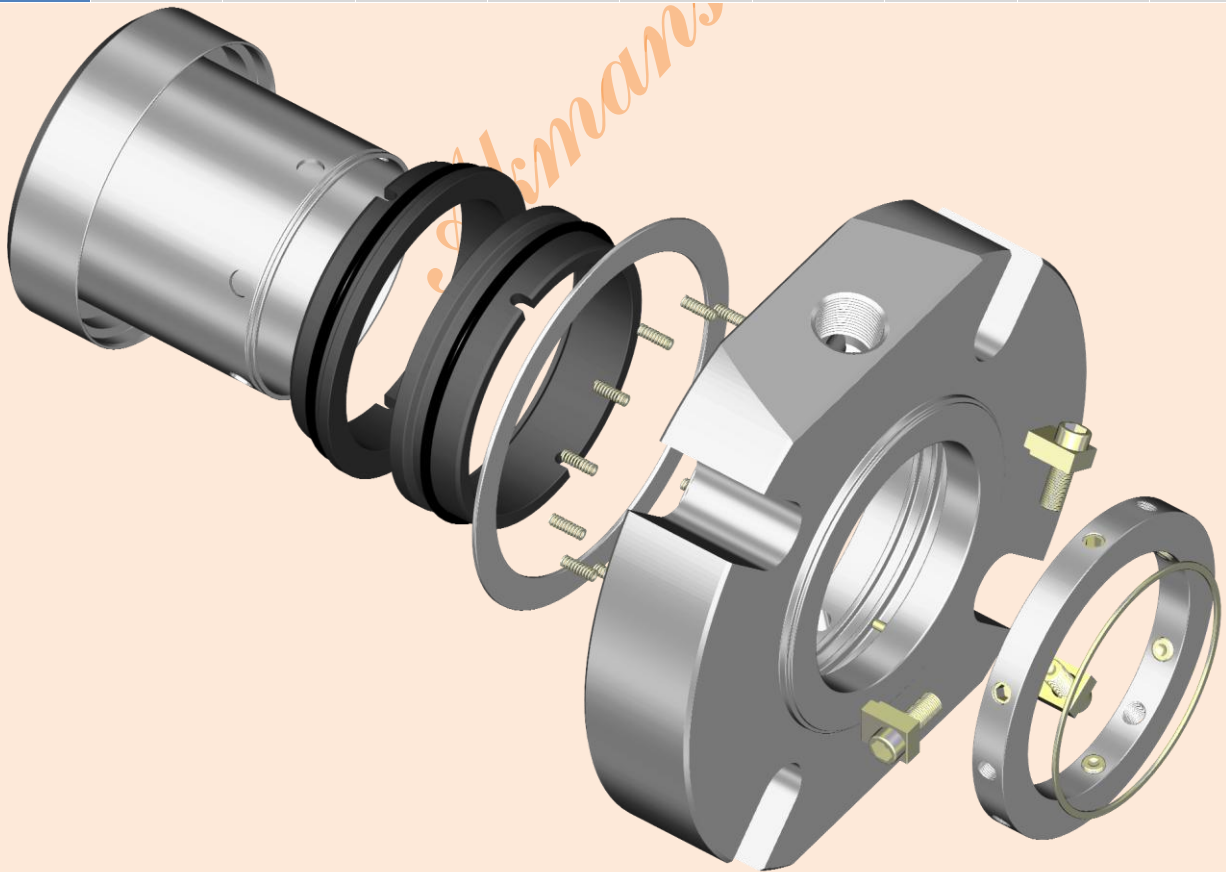


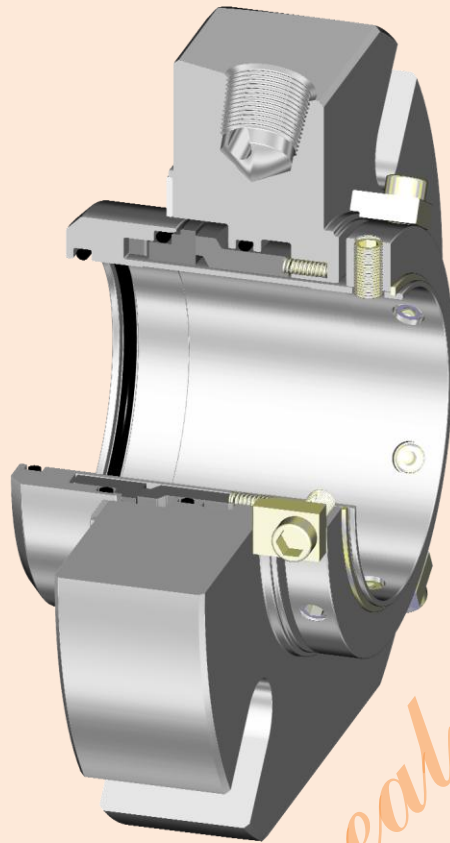
Dimensional Data (Metrics)

D	D3	D4min	D4max	D0	L1	L2	L3	L4	A
25	43.0	44.0	51.0	105.0	24.6	42.4	25.4	12.5	62
28	46.0	47.0	52.0	105.0	24.6	42.4	25.4	12.5	62
30	48.0	49.0	56.0	105.0	24.6	42.4	25.4	12.5	65
32	49.8	51.0	57.0	110.0	24.6	42.4	25.4	12.5	67
33	49.8	51.0	57.0	110.0	24.6	42.4	25.4	12.5	67
35	53.0	54.0	61.5	113.0	24.6	42.4	25.4	12.5	70
38	56.0	57.0	66.0	123.0	24.6	42.4	25.4	12.5	75
40	58.0	59.0	68.0	123.0	24.6	42.4	25.4	14.7	75
43	60.5	61.5	70.5	133.0	24.6	42.4	25.4	14.7	80
45	62.5	64.0	73.0	138.0	24.6	42.4	25.4	14.7	81
48	65.6	67.0	75.0	138.0	24.6	42.4	25.4	14.7	84
50	68.0	69.0	78.0	148.0	24.6	42.4	25.4	14.7	87
53	72.0	73.0	81.0	148.0	24.6	42.4	25.4	17.5	97
55	73.0	74.0	83.0	148.0	24.6	42.4	25.4	17.5	90
58	76.0	77.0	88.0	157.0	24.6	42.4	25.4	17.5	97
60	78.0	79.0	91.0	157.0	24.6	42.4	25.4	17.5	102
65	83.0	84.5	98.5	163.0	24.6	42.4	25.4	17.5	109
70	93.0	95.0	108.0	178.0	24.6	42.4	25.4	17.5	126
75	100.0	101.6	118.0	190.0	26.6	57.4	28.0	17.5	129
80	106.4	108.0	124.0	195.0	26.6	57.4	28.0	17.5	135
85	109.5	111.1	128.0	198.0	26.6	57.4	28.0	20.5	139
90	115.9	117.5	135.0	205.0	26.6	57.4	28.0	20.5	145
95	119.1	120.7	138.0	208.0	26.6	57.4	28.0	20.5	148
100	125.4	127.0	144.0	218.0	26.6	57.4	28.0	20.5	154

## Dimensional Data (Inches)

D	D3	D4	D4	D0	L1	L2	L3	L4	A
1.000	1.693	1.750	2.000	4.134	0.969	1.669	1.000	0.551	2.440
1.125	1.811	1.875	2.050	4.134	0.969	1.669	1.000	0.551	2.640
1.250	1.960	2.000	2.250	4.330	0.969	1.669	1.000	0.551	2.760
1.375	2.086	2.125	2.420	4.530	0.969	1.669	1.000	0.551	2.840
1.500	2.200	2.250	2.625	4.920	0.969	1.669	1.000	0.551	2.950
1.625	2.340	2.375	2.700	4.920	0.969	1.669	1.000	0.650	3.090
1.750	2.460	2.500	2.812	5.550	0.969	1.669	1.000	0.650	3.230
1.875	2.582	2.625	2.940	5.550	0.969	1.669	1.000	0.650	3.350
2.000	2.677	2.750	3.190	5.900	0.969	1.669	1.000	0.650	3.430
2.125	2.834	2.875	3.437	5.900	0.969	1.669	1.000	0.709	3.820
2.250	2.960	3.000	3.560	6.200	0.969	1.669	1.000	0.709	3.940
2.375	3.070	3.150	3.590	6.200	0.969	1.669	1.000	0.709	4.020
2.500	3.212	3.300	3.800	6.500	0.969	1.669	1.000	0.709	4.180
2.625	3.338	3.500	3.937	6.500	0.969	1.669	1.000	0.709	4.300
2.750	3.660	3.750	4.250	7.100	0.969	1.669	1.000	0.709	4.660
2.875	3.811	3.875	4.567	7.283	1.047	2.260	1.000	0.709	4.960
3.000	3.937	4.000	4.646	7.480	1.047	2.260	1.102	0.709	5.079
3.125	4.063	4.125	4.764	7.677	1.047	2.260	1.102	0.709	5.197
3.250	4.189	4.250	4.882	7.677	1.047	2.260	1.102	0.709	5.315
3.375	4.311	4.375	5.039	7.874	1.047	2.260	1.102	0.886	5.472
3.500	4.437	4.500	5.157	8.071	1.047	2.260	1.102	0.886	5.591
3.625	4.563	4.625	5.315	8.071	1.047	2.260	1.102	0.886	5.709
3.750	4.689	4.750	5.433	8.268	1.047	2.260	1.102	0.886	5.827
3.875	4.812	4.875	5.544	8.465	1.047	2.260	1.102	0.886	5.945
4.000	4.937	5.000	5.669	8.583	1.047	2.260	1.102	0.886	6.063





### Materials:

- ❖ Metal Parts: 304SS, 316SS
- ❖ Rotating Face: Silicon Carbide, Tungsten Carbide.
- ❖ Stationary Seat: Carbon, Silicon Carbide, Tungsten Carbide.
- ❖ O-Ring: EP, Fluoroelastomer, AFLAS, Perfluoroelastomer.
- ❖ Springs: 316SS, Has. C

### Operating Limits:

- ❖ Pressure: Up to 25 bar (360 psig)
- ❖ Temperature: Up to 260°C (500°F) Perfluoroelastomer
- ❖ Speed: Up to 25 m/s

Akman Mechanical Seal Manufacturing Co., Ltd

Distributor:

Add: DeJi, JinGang Town,  
ZhangJiaGang City,  
JiangSu, China

Zip Code: 215635

Tel: +86-512-5810 3528  
5693 5782

Fax: +86-512-5693 5782

E-mail: [akman2006@163.com](mailto:akman2006@163.com)

Web Site: <http://www.akseal.com>