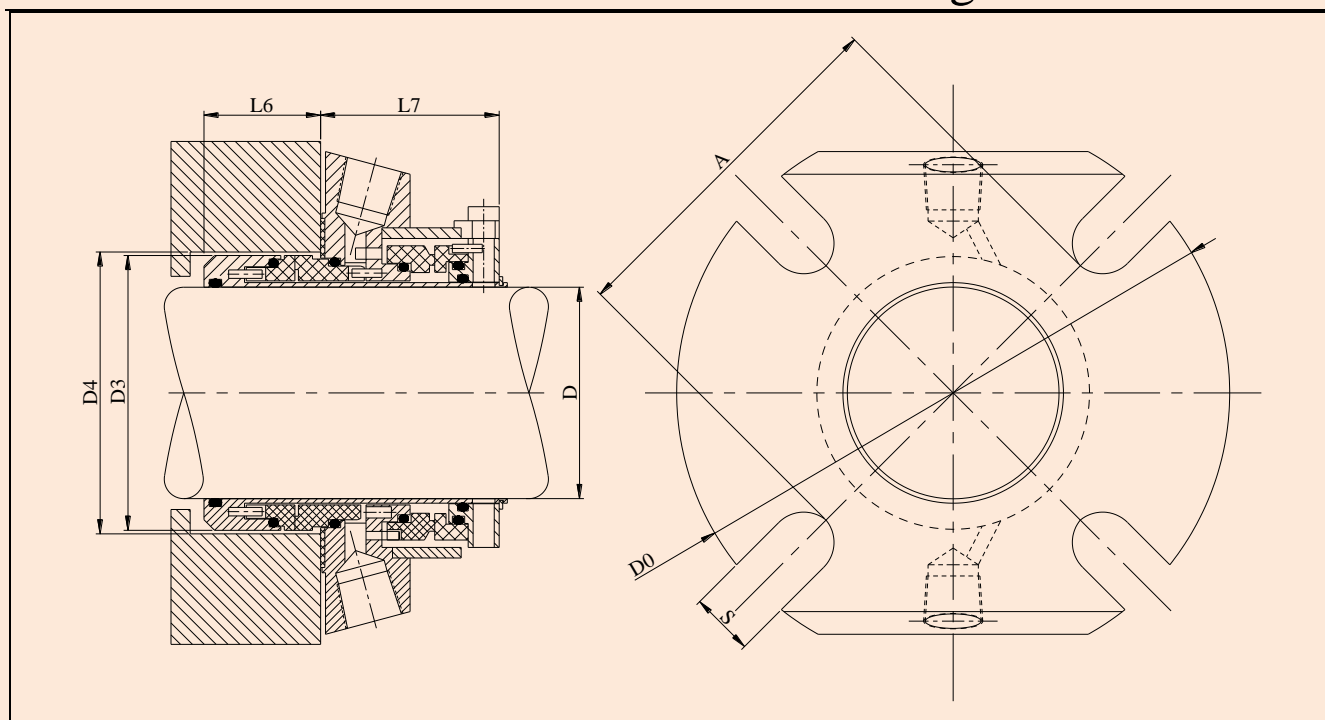


9140 Series dual cartridge seal is a fully pre-assembled seal with balanced seal face. It can be used in either direction rotation and come with all the connections you need for the most common modes of operation.

Features/Benefits:

- ❖ Double balanced design: Makes the seal withstanding higher operating pressure.
- ❖ Double or Tandem Barrier Mode.
- ❖ Sufficient Cavity of Flush: Significantly increased seal service life.
- ❖ Springs Mounted on stationary Seat: Presents particularly advantage to handle higher speed and the ability to deal with slight angular alignment of the shaft.

9140 Series Dual Cartridge Seal

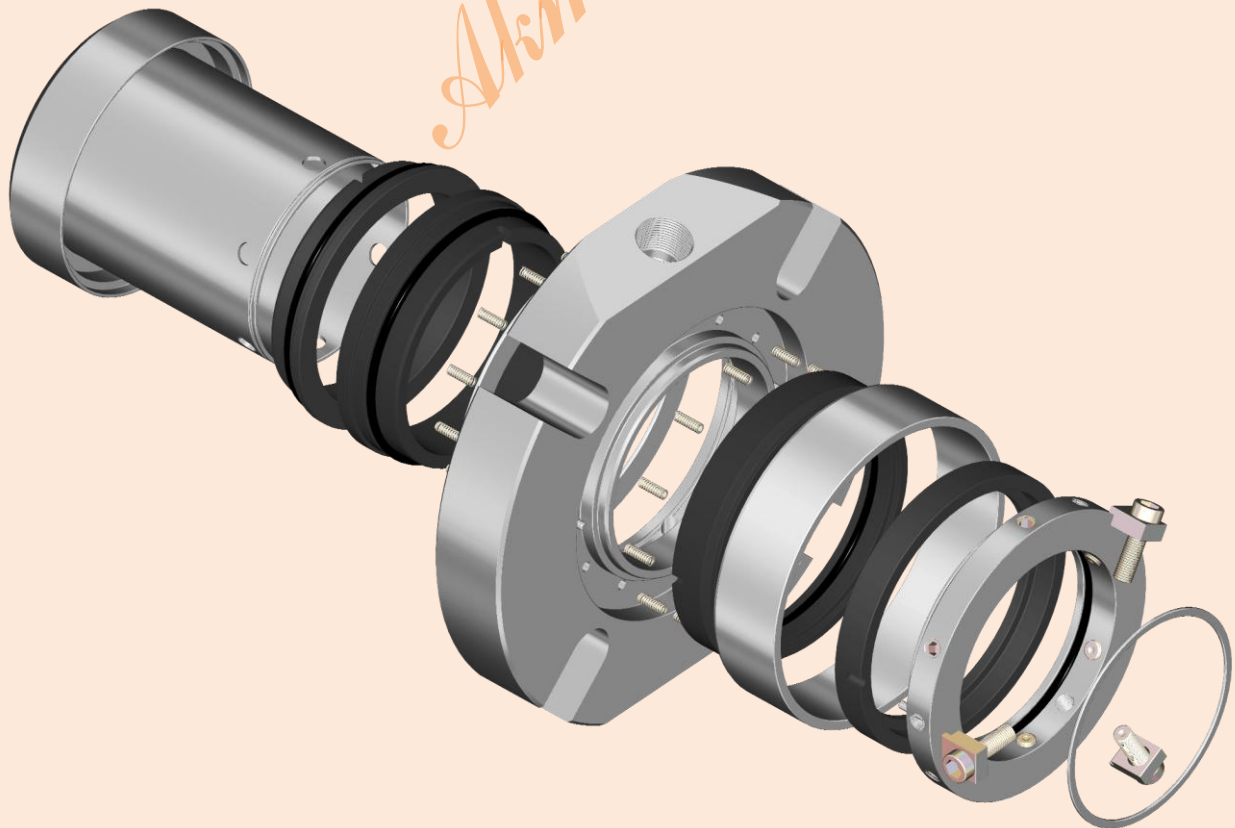


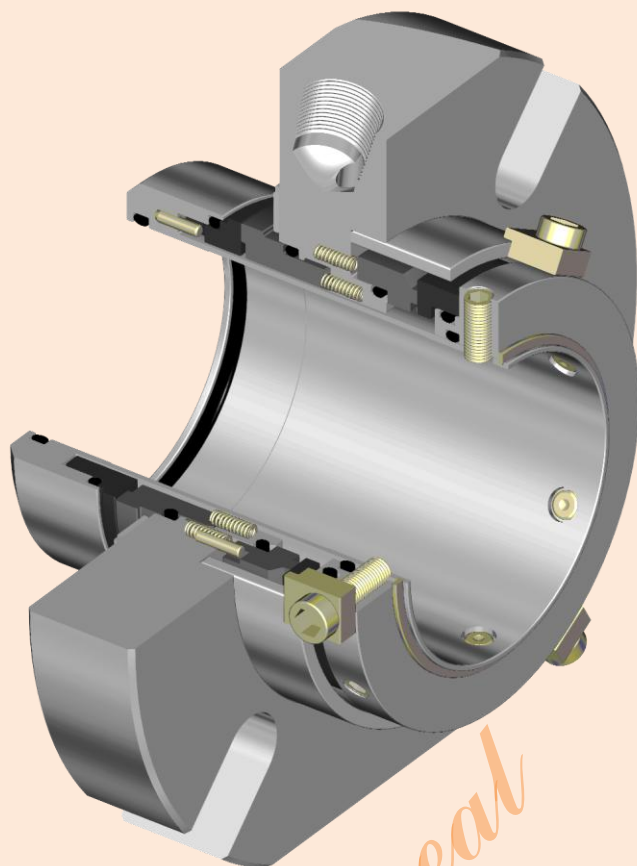
Dimensional Data

D	D3	D4 _{min}	D0	L4	L7	L6	A	S
25	43.0	44.0	105	25.4	53.0	33.5	62.0	14
28	46.0	47.0	105	25.4	53.0	33.5	65.0	14
30	48.0	49.0	105	25.4	53.0	33.5	67.0	14
32	49.8	51.0	110	25.4	53.0	33.5	70.0	14
33	49.8	51.0	110	25.4	53.0	33.5	70.0	14
35	53.0	54.0	115	25.4	53.0	33.5	72.0	14
38	56.0	57.0	125	25.4	53.0	33.5	75.0	14
40	58.0	59.0	125	25.4	53.0	33.5	77.0	16
43	60.5	61.5	133	25.4	53.0	33.5	80.0	16
45	62.5	64.0	141	25.4	53.0	33.5	82.0	16
48	65.6	67.0	141	25.4	53.0	33.5	85.0	16
50	68.0	69.0	150	25.4	53.0	33.5	87.0	16
53	72.0	73.0	150	25.4	53.0	33.5	97.0	18
55	73.0	74.0	150	25.4	53.0	33.5	92.0	18
58	76.0	77.0	150	25.4	53.0	33.5	95.0	18
60	78.0	79.0	157	25.4	53.0	33.5	102.0	18
65	83.0	84.5	165	25.4	53.0	33.5	109.3	18
70	93.0	95.0	180	25.4	53.0	33.5	118.3	18
75	100.0	101.6	190	28.0	63.5	44.5	129.0	18
80	106.4	108.0	195	28.0	63.5	44.5	135.0	18
85	109.5	111.1	200	28.0	63.5	44.5	139.0	22
90	115.9	117.5	205	28.0	63.5	44.5	145.0	22
95	119.1	120.7	210	28.0	63.5	44.5	148.0	22
100	125.4	127.0	218	28.0	63.5	44.5	154.0	22

Dimensional Data (Inch)

D	D3	D4 _{min}	D0	L4	L7	L6	A	S
1.000	1.693	1.750	4.134	1.000	2.09	1.320	2.440	0.500
1.125	1.811	1.875	4.134	1.000	2.09	1.320	2.640	0.500
1.250	1.960	2.000	4.330	1.000	2.09	1.320	2.760	0.500
1.375	2.086	2.125	4.530	1.000	2.09	1.320	2.840	0.500
1.500	2.200	2.250	4.920	1.000	2.09	1.320	2.950	0.500
1.625	2.340	2.375	4.920	1.000	2.09	1.320	3.090	0.579
1.750	2.460	2.500	5.550	1.000	2.09	1.320	3.230	0.579
1.875	2.582	2.625	5.550	1.000	2.09	1.320	3.350	0.579
2.000	2.677	2.750	5.900	1.000	2.09	1.320	3.430	0.579
2.125	2.834	2.875	5.900	1.000	2.09	1.320	3.820	0.690
2.250	2.960	3.000	6.200	1.000	2.09	1.320	3.940	0.690
2.375	3.070	3.150	6.200	1.000	2.09	1.320	4.020	0.690
2.500	3.212	3.300	6.500	1.000	2.09	1.320	4.180	0.690
2.625	3.338	3.500	6.500	1.000	2.09	1.320	4.300	0.690
2.750	3.660	3.750	7.100	1.000	2.09	1.320	4.660	0.690
2.875	3.811	3.875	7.283	1.000	2.50	1.750	4.960	0.689
3.000	3.937	4.000	7.480	1.102	2.50	1.750	5.079	0.689
3.125	4.063	4.125	7.677	1.102	2.50	1.750	5.197	0.689
3.250	4.189	4.250	7.677	1.102	2.50	1.750	5.315	0.689
3.375	4.311	4.375	7.874	1.102	2.50	1.750	5.472	0.807
3.500	4.437	4.500	8.071	1.102	2.50	1.750	5.591	0.807
3.625	4.563	4.625	8.071	1.102	2.50	1.750	5.709	0.807
3.750	4.689	4.750	8.268	1.102	2.50	1.750	5.827	0.807
3.875	4.812	4.875	8.465	1.102	2.50	1.750	5.945	0.807
4.000	4.937	5.000	8.583	1.102	2.50	1.750	6.063	0.807





Materials:

- ❖ Metal Parts: 304SS, 316SS
- ❖ Rotating Face: Silicon Carbide, Tungsten Carbide.
- ❖ Stationary Seat: Carbon, Silicon Carbide, Tungsten Carbide.
- ❖ O-Rings: EP, Fluoroelastomer.
- ❖ Springs: 316SS, Has.C®.

Operating Limits:

- ❖ Pressure: Up to 25 bar (360 psig)
- ❖ Temperature: Up to 206°C (400°F)
- ❖ Speed: Up to 20 m/s

Akman Mechanical Seal Manufacturing Co., Ltd

Distributor:

Add: DeJi, JinGang Town,
ZhangJiaGang City,
JiangSu, China

Zip Code: 215635

Tel: +86-512-5810 3528

5693 5782

Fax: +86-512-5693 5782

E-mail: akman2006@163.com

Web Site: <http://www.akseal.com>