

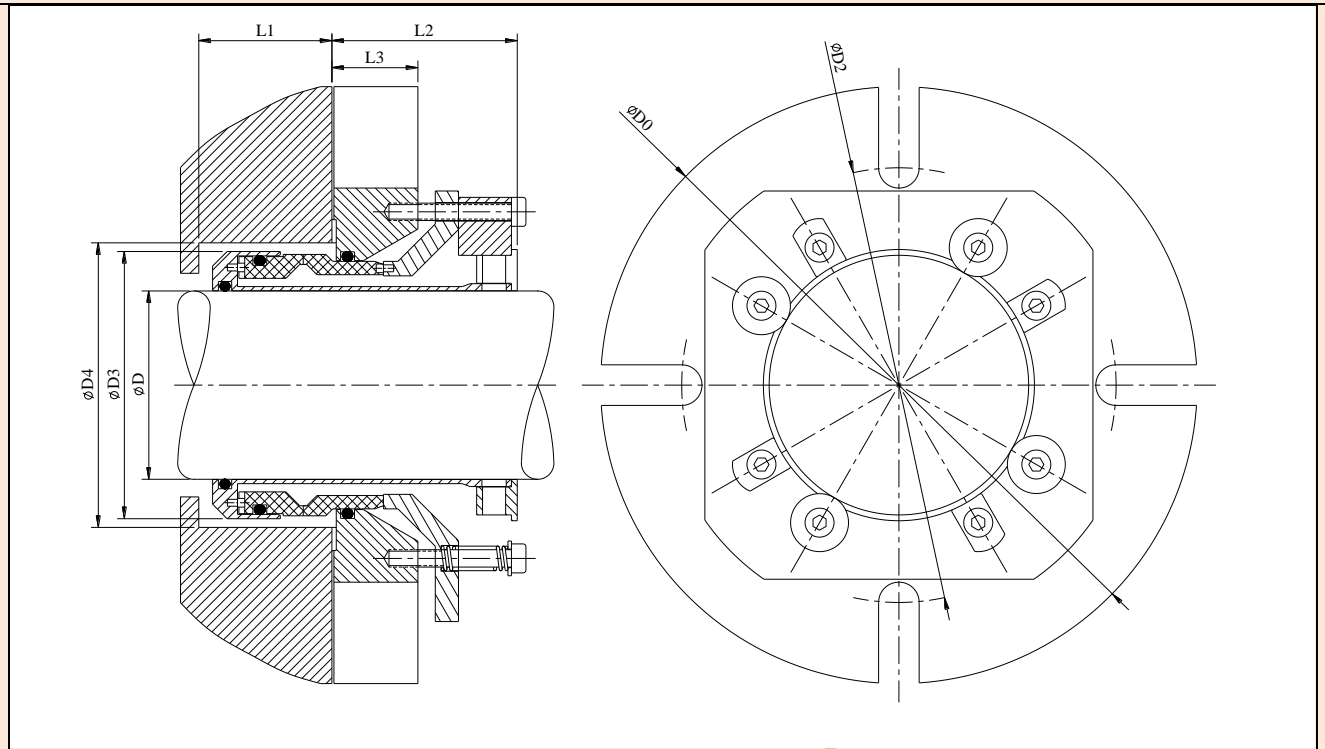
The abrasive slurry operating environment along with low water dilution requirements creates an aggressive sealing challenge. The 8170 meets this challenge by integrating multiple high performance slurry design features.

The 8170 slurry cartridge is designed for operating on severe slurry environments, eliminating costly external seal flushes. Plant efficiency improvements are achieved with this 8170 seal by reducing product dilution and increasing production rates while meeting environmental concerns, and reduce operating expenses associated with process equipment.

Feature/Benefits

- ❖ Non-clog pressure plate design
- ❖ Optimal spring rate
- ❖ Simple durable design
- ❖ High strength drive mechanisms
- ❖ Hydraulically balanced seal faces

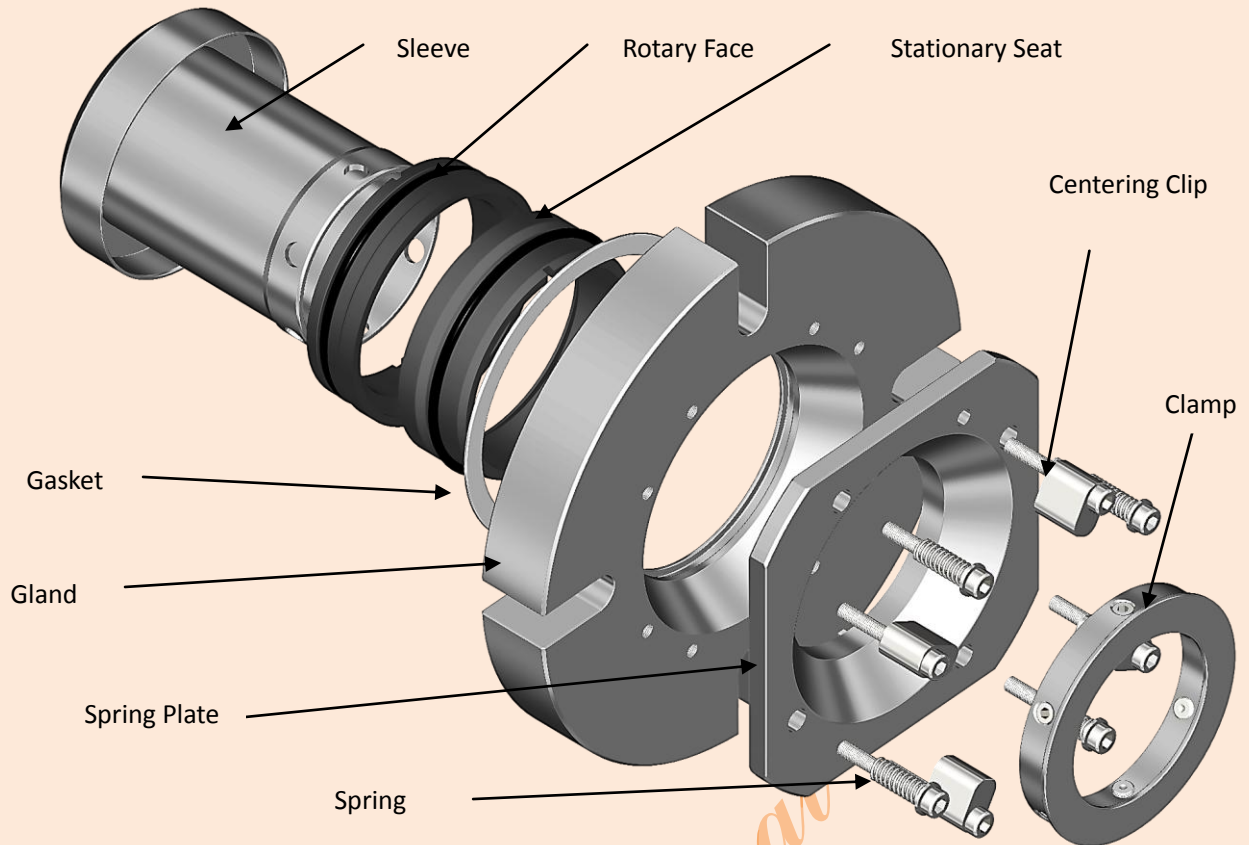
8170 Series Slurry Cartridge Seal



Dimensional Data

D	D0	D3	D4	L1	L2	L3	D2											
							Sq.	Cle.	Sq.	Cle.	Sq.	Cle.	Sq.	Cle.	Sq.	Cle.	Sq.	Cle.
							10mm	10mm	12mm	12mm	16mm	16mm	20mm	20mm	24mm	24mm	30mm	30mm
38	139.2	60.1	62.8	34.1	49.5	22.4	99.4	118.5	102.8	122.0	--	--	--	--	--	--	--	--
40	151.9	62.0	64.7	34.1	49.5	22.4	101.3	120.4	104.7	123.9	--	--	--	--	--	--	--	--
43	151.9	65.0	67.7	34.1	49.5	22.4	104.3	123.4	107.7	126.9	--	--	--	--	--	--	--	--
45	164.6	67.0	69.7	34.1	49.5	22.4	106.3	125.4	109.7	128.9	--	--	--	--	--	--	--	--
48	164.6	70.0	72.7	34.1	49.5	22.4	109.3	128.4	112.7	131.9	--	--	--	--	--	--	--	--
50	164.6	72.0	74.8	34.1	49.5	22.4	111.3	130.5	114.7	133.9	--	--	--	--	--	--	--	--
55	177.3	77.0	79.7	34.1	49.5	22.4	116.3	135.4	119.7	138.9	126.6	145.8	--	--	--	--	--	--
60	177.3	82.3	85.1	34.1	49.5	22.4	121.6	140.8	125.0	144.2	132.0	151.2	--	--	--	--	--	--
65	206.0	93.8	97.8	43.7	64.0	29.7	--	--	--	--	148.0	177.2	--	--	--	--	--	--
70	209.3	97.1	101.2	43.7	64.0	29.7	--	--	--	--	151.3	180.5	--	--	--	--	--	--
75	215.5	103.3	107.4	43.7	64.0	29.7	--	--	--	--	157.5	186.7	--	--	--	--	--	--
80	219.3	107.1	111.2	43.7	64.0	29.7	--	--	--	--	161.3	190.5	--	--	--	--	--	--
85	225.0	112.8	116.9	43.7	64.0	29.7	--	--	--	--	167.0	196.2	174.0	203.2	--	--	--	--
90	229.3	117.1	121.2	43.7	64.0	29.7	--	--	--	--	171.3	200.5	178.3	207.5	--	--	--	--
95	234.6	122.4	126.4	43.7	64.0	29.7	--	--	--	--	176.6	205.8	183.5	212.7	--	--	--	--
100	234.3	141.8	147.3	43.7	76.8	36.6	--	--	--	--	182.9	219.2	189.9	226.2	--	--	--	--
110	243.8	151.3	156.8	43.7	76.8	36.6	--	--	--	--	192.4	228.8	199.4	235.7	--	--	--	--
120	253.4	160.8	166.3	61.7	76.8	36.6	--	--	--	--	202.0	238.3	208.9	245.2	215.8	252.1	227.4	263.7
130	266.1	173.5	179.0	61.7	76.8	36.6	--	--	--	--	214.7	251.0	221.6	257.9	228.5	264.8	240.1	276.4
140	272.7	180.2	185.7	61.7	76.8	36.6	--	--	--	--	221.3	257.6	228.3	264.6	235.2	271.5	246.7	283.0
145	278.8	186.2	191.7	61.7	76.8	36.6	--	--	--	--	227.4	263.7	234.3	270.6	241.2	277.5	252.8	289.1
150	285.1	192.6	198.1	61.7	76.8	36.6	--	--	--	--	233.7	270.0	240.7	277.0	247.6	283.8	259.1	295.4
160	292.7	200.2	205.7	61.7	76.8	36.6	--	--	--	--	241.3	277.6	248.3	284.6	237.6	255.2	266.7	303.0
170	304.2	211.6	217.1	61.7	76.8	36.6	--	--	--	--	252.8	289.1	259.7	296.0	249.0	266.6	278.2	314.5
180	312.7	220.2	225.7	61.7	76.8	36.6	--	--	--	--	261.3	297.6	268.3	304.6	257.6	275.2	286.7	323.0

8170 Series Slurry Cartridge Seal



Materials

- ❖ Metal Parts: 304SS, 316SS
- ❖ Rotary Face: Sintered Silicon Carbide, TC.
- ❖ Stationary Seat: Sintered Silicon Carbide, TC.
- ❖ Springs: 316SS, C-276.
- ❖ O-Rings: EP, FKM, AFLAS.

Operating Conditions

- ❖ Pressure*: Up to 17 bar (250 psig)
- ❖ Temperature: Up to 205°C (400°F)
- ❖ Speed: Up to 3600 RPM
- ❖ Maximum % Solids by Weight: 40%

*Operating pressure capabilities are dependent on the fluid sealed, temperature, speed, and seal face combinations.

Akman Mechanical Seal Manufacturing Co., Ltd

Distributor:

Add: DeJi, JinGang Town,
ZhangJiaGang City,
JiangSu, China

Zip Code: 215635

Tel: +86-512-5810 3528
5693 5782

Fax: +86-512-5693 5782

E-mail: akman2006@163.com

Web Site: <http://www.akseal.com>