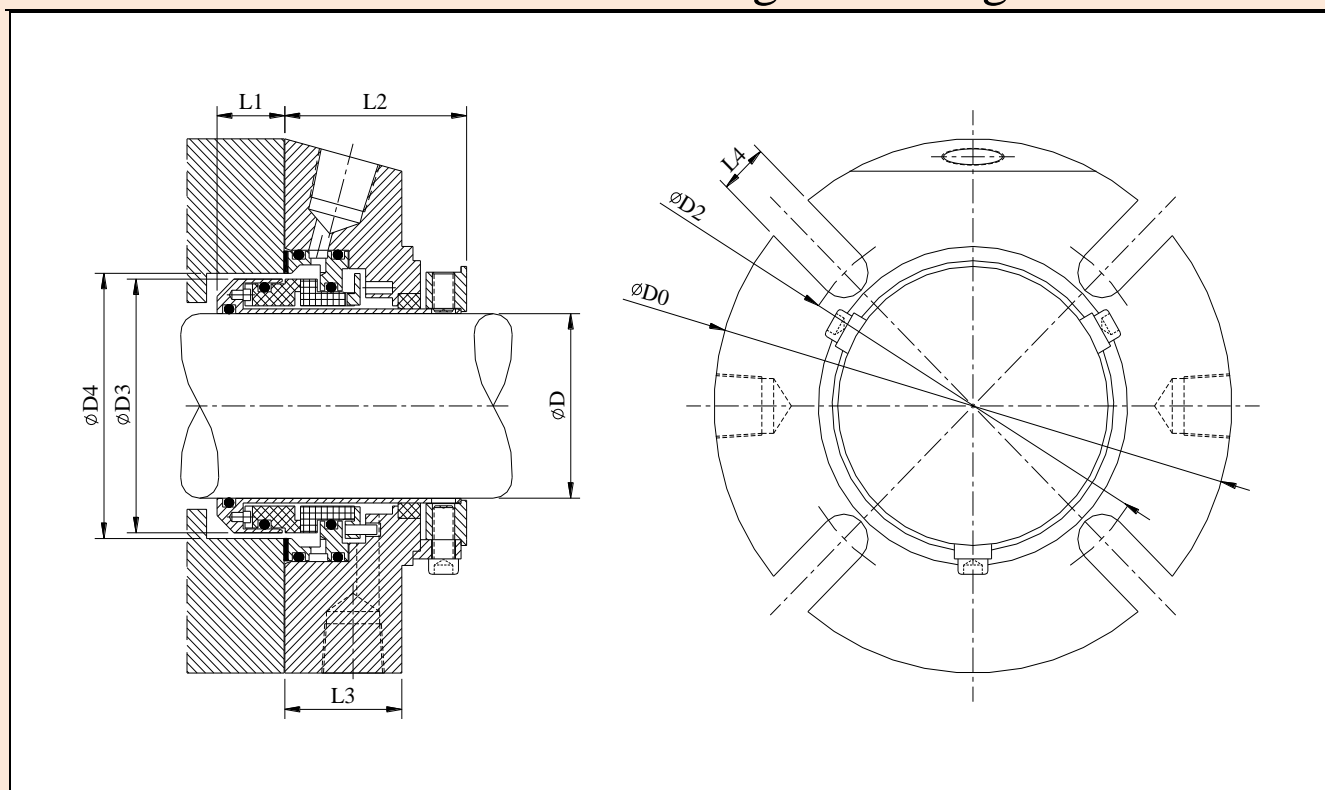


8250 series single cartridge seal provide a complete and integrated package of technical features to ensure top performance and high reliability across the widest range of services such as boiler feed water, hot water, deionized water, slurries, light hydrocarbons and hot oils, pulp & paper, wastewater treatment, chemicals, high and low viscosity products.

Features/Benefits:

- ❖ Compact design fits ANSI, DIN and API pumps.
- ❖ Full featured gland: includes flush, quench and drain connections.
- ❖ Multi-port flush injection delivers flush to the full circumference of the seal ring.
- ❖ Robust design withstands difficult services.

8250 Series Single Cartridge Seal



Dimensional Data (Metric)

D	D0	D2				D3	D4		L1	L2	L3	L4
		10mm	12mm	16mm	20mm		min	max				
25	104	73	--	--	--	39	41	51	6	54	41	11
28	104	73	--	--	--	42	44	52	6	54	41	11
30	104	78	--	--	--	44	46	57	6	54	41	11
32	104	80	--	--	--	46	48	58	6	54	41	11
33	113	81	83	--	--	47	49	59	6	54	41	14
35	111	80	82	--	--	49	51	59	6	54	41	14
38	114	85	87	--	--	52	54	61	6	54	41	14
40	127	90	92	--	--	54	56	68	6	54	41	13
42	127	88	90	--	--	56	58	66	6	54	41	13
43	127	91	93	--	--	57	59	69	6	54	41	13
45	139	95	97	--	--	63	64	73	18	49	43	13
48	139	95	97	--	--	66	67	73	18	49	43	13
50	139	100	102	--	--	68	69	78	18	49	43	13
53	152	109	111	115	--	72	73	87	18	49	43	17
55	152	105	107	111	--	73	74	83	18	49	43	17
58	152	114	116	120	--	78	80	91	18	49	43	17
60	152	114	116	120	--	78	80	91	18	49	43	17
65	164	--	127	131	--	90	92	103	22	64	45	17
70	196	--	137	141	--	93	96	111	22	64	45	17
75	202	--	143	147	--	100	102	119	22	64	45	17
80	203	--	150	154	--	103	106	122	22	64	45	17
85	211	--	152	156	161	109	111	128	22	64	45	20
90	214	--	160	164	168	113	116	132	22	64	45	20
95	221	--	161	165	170	119	121	137	22	64	45	20
100	228	--	168	172	177	125	127	144	22	64	45	20
110	237	--	178	182	186	134	137	154	22	64	45	20
120	266	--	187	191	195	144	146	164	22	64	45	20

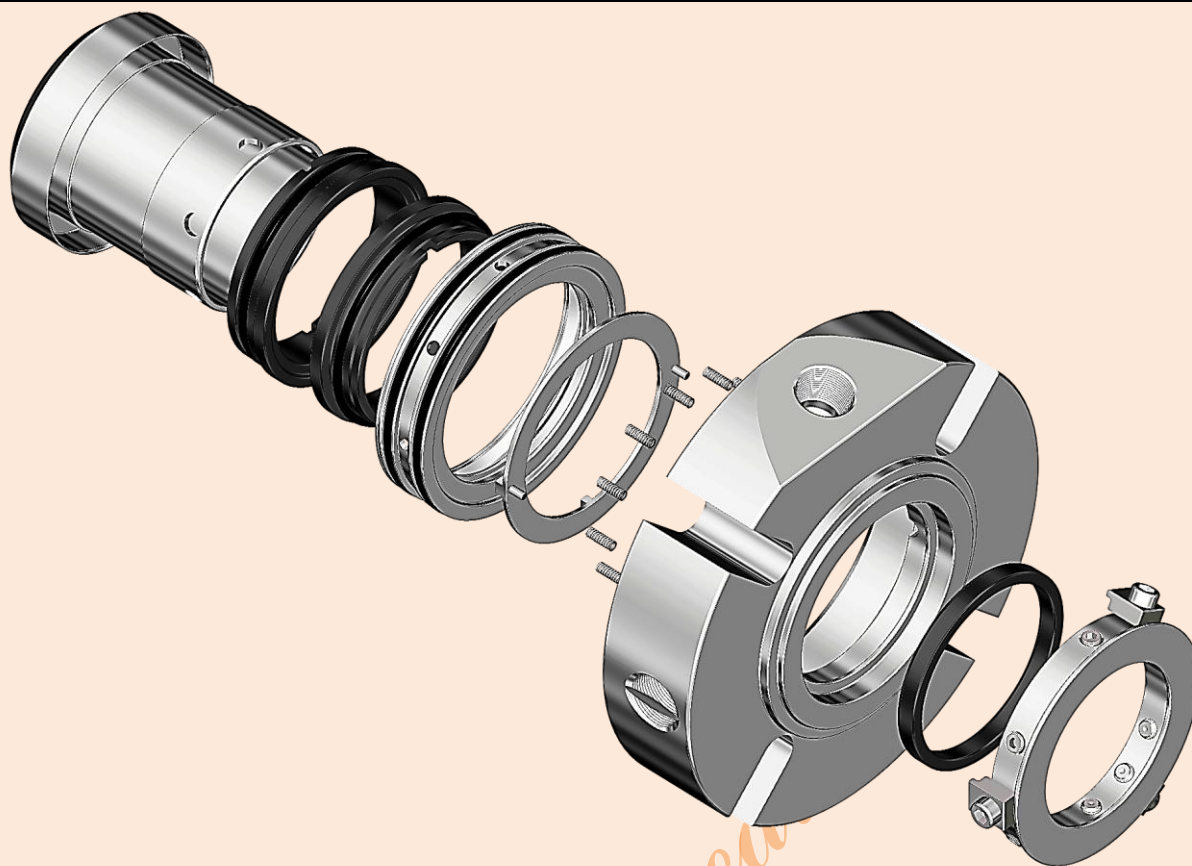
8250 Series Single Cartridge Seal

Dimensional Data (Inch)

D	D0	D2				D3	D4		L1	L2	L3	L4
		3/8"	1/2"	5/8"	3/4"		min	max				
1.000	4.11	2.88	--	--	--	1.55	1.63	2.01	0.22	2.11	1.62	0.44
1.125	4.11	2.88	--	--	--	1.67	1.75	2.04	0.22	2.11	1.62	0.44
1.250	4.11	3.14	--	--	--	1.80	1.88	2.27	0.22	2.11	1.62	0.44
1.375	4.36	3.13	3.25	--	--	1.92	2.00	2.33	0.22	2.11	1.62	0.57
1.500	4.49	3.33	3.45	--	--	2.05	2.13	2.44	0.22	2.11	1.62	0.57
1.625	4.99	3.52	3.65	--	--	2.17	2.25	2.69	0.22	2.11	1.62	0.57
1.750	5.49	3.62	3.75	--	--	2.44	2.50	2.81	0.69	1.91	1.27	0.69
1.875	5.49	3.75	3.87	--	--	2.57	2.63	2.94	0.69	1.91	1.27	0.69
2.000	5.49	4.00	4.13	--	--	2.69	2.75	3.19	0.69	1.91	1.27	0.69
2.125	5.99	4.25	4.38	4.50	--	2.82	2.88	3.44	0.69	1.91	1.27	0.69
2.250	5.99	4.37	4.50	4.62	--	2.94	3.00	3.56	0.69	1.91	1.27	0.69
2.375	5.99	4.43	4.56	4.68	--	3.07	3.13	3.59	0.69	1.91	1.27	0.69
2.500	6.49	4.62	4.75	4.87	--	3.19	3.25	3.81	0.69	1.91	1.27	0.69
2.625	6.45	--	5.02	5.15	--	3.54	3.63	4.04	0.88	2.50	1.77	0.69
2.750	7.70	--	5.42	5.55	--	3.67	3.75	4.38	0.88	2.50	1.77	0.69
2.875	7.83	--	5.50	5.62	--	3.79	3.88	4.50	0.88	2.50	1.77	0.69
3.000	7.94	--	5.65	5.77	--	3.92	4.00	4.69	0.88	2.50	1.77	0.69
3.125	7.99	--	5.80	5.92	--	4.04	4.13	4.81	0.88	2.50	1.77	0.69
3.250	8.19	--	5.93	6.05	--	4.17	4.25	4.94	0.88	2.50	1.77	0.69
3.375	8.30	--	6.02	6.14	6.27	4.29	4.38	5.06	0.88	2.50	1.77	0.81
3.500	8.44	--	6.18	6.31	6.43	4.42	4.50	5.19	0.88	2.50	1.77	0.81
3.625	8.49	--	6.31	6.44	6.56	4.54	4.63	5.31	0.88	2.50	1.77	0.81
3.750	8.71	--	6.38	6.51	6.63	4.67	4.75	5.39	0.88	2.50	1.77	0.81
3.875	8.84	--	6.52	6.64	6.77	4.79	4.88	5.51	0.88	2.50	1.77	0.81
4.000	8.96	--	6.66	6.78	6.91	4.92	5.00	5.69	0.88	2.50	1.77	0.81
4.125	8.99	--	6.79	6.90	7.03	5.04	5.13	5.81	0.88	2.50	1.77	0.81
4.250	8.99	--	6.91	7.04	7.16	5.17	5.25	5.94	0.88	2.50	1.77	0.81
4.375	9.33	--	7.03	7.15	7.28	5.29	5.38	6.06	0.88	2.50	1.77	0.81
4.500	9.49	--	7.18	7.30	7.43	5.42	5.50	6.19	0.88	2.50	1.77	0.81
4.625	9.49	--	7.28	7.40	7.53	5.54	5.63	6.31	0.88	2.50	1.77	0.81
4.750	10.49	--	7.40	7.53	7.65	5.67	5.75	6.47	0.88	2.50	1.77	0.81

Dimensional Data (Inch) Oversize

D	D0	D2				D3	D4		L1	L2	L3	L4
		3/8"	1/2"	5/8"	3/4"		min	max				
1.125 OS	4.48	3.71	--	--	--	1.82	2.50	2.75	0.40	1.93	1.44	0.44
1.375 OS	5.40	4.03	--	--	--	2.07	2.68	3.00	0.40	1.93	1.44	0.44
1.750 OS	6.64	5.21	5.33	5.46	--	2.44	3.50	3.75	0.69	1.91	1.44	0.57
1.875 OS	5.99	--	5.00	--	--	2.57	3.56	3.81	0.69	1.91	1.44	0.57
2.125 OS	6.99	--	--	5.95	--	2.82	3.88	4.25	0.69	1.91	1.44	0.69
2.375 OS	8.40	--	--	7.00	--	3.07	4.13	4.50	0.69	1.91	1.44	0.69
2.500 OS	7.77	--	--	6.75	--	3.19	4.50	4.75	0.69	1.91	1.44	0.69
		5/8"	3/4"	7/8"								
2.625 OS	6.98	6.00	--	--	--	3.54	4.55	4.78	0.88	2.50	1.77	0.69
2.750 OS	7.89	--	6.38	--	--	3.67	4.45	4.78	0.88	2.50	1.77	0.81
3.000 OS	8.64	7.00	7.13	7.25	--	3.92	4.93	5.39	0.88	2.50	1.77	0.94
3.375 OS	8.39	--	6.88	--	--	4.29	4.95	5.27	0.88	2.50	1.77	0.82
3.750 OS	9.76	8.25	--	--	--	4.67	5.08	6.40	0.88	2.50	1.77	0.82
4.125 OS	9.76	--	--	8.00	--	5.04	5.95	6.27	0.88	2.50	1.77	0.82
4.500 OS	12.49	--	10.76	--	--	5.42	6.75	7.49	0.88	2.50	1.77	0.88
4.750 OS	11.39	9.88	10.00	--	--	5.67	7.20	7.65	0.88	2.50	1.77	0.82



Materials:

- ❖ Metal parts: 304SS, 316SS
- ❖ Rotating Face: Carbon, Silicon Carbide, Tungsten Carbide.
- ❖ Stationary Face: Silicon Carbide, Tungsten Carbide.
- ❖ Rings: Fluoroelastomer, EP, Aflas®.
- ❖ Springs: 316SS, Has.C®.

Operating Limits:

- ❖ Pressure: Up to 40 bar (600 psig)
- ❖ Temperature: Up to 205°C (400°F) Fluoroelastomer
- ❖ Speed: Up to 25 m/s (5000 fpm)

Akman Mechanical Seal Manufacturing Co., Ltd

Distributor:

Add: DeJi, JinGang Town,
ZhangJiaGang City,
JiangSu, China

Zip Code: 215635

Tel: +86-512-5810 3528
5693 5782

Fax: +86-512-5693 5782

E-mail: akman2006@163.com

Web Site: <http://www.akseal.com>